

Safety Information

Electrical equipment should be installed, operated, serviced, and maintained only by qualified personnel. No responsibility is assumed by Schneider Electric for any consequences arising out of the use of this material.

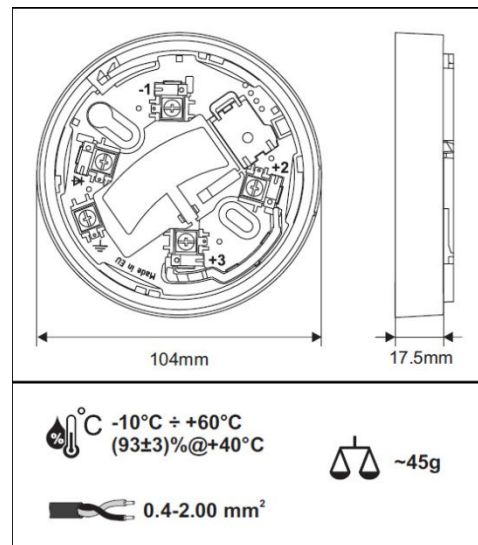
A qualified person is one who has skills and knowledge related to the construction, installation, and operation of electrical equipment and has received safety training to recognize and avoid the hazards involved.



Esmi Impresia Standard Base High Profile

The Esmi Impresia Standard Base High Profile (FFS06741028) is a high profile base for Esmi Impresia addressable detectors, sounders, and sounder/strobes. The base has a higher profile than the regular standard base (Esmi Impresia Standard Base FFS06741018). The higher profile allows surface-mounted cables to pass through knockouts. The high profile base also provides an additional info plate for device labeling and a contact system for direct detector attachment (Esmi Impresia Standard Base is not required). It is possible to lock the detector to the base for extra security. The detector can be released with a special tool.

For more technical information visit www.se.com.



⚠ WARNING
COMPROMISED FUNCTIONALITY
Make sure that the setup where the device is installed meets the device specifications.
Failure to follow these instructions can result in death, serious injury, or equipment damage.

Technical Specifications

Wire size for terminals	0.4 mm ² to 2.0 mm ²
Operating temperature	-10 °C to +60 °C
Relative humidity resistance	(93 ± 3)% @ 40 °C
Weight	~45 g
Dimensions	104 × 17.5 mm
Material (plastic), color.....	ABS, white
Supported communication protocol	ELC

Installation

