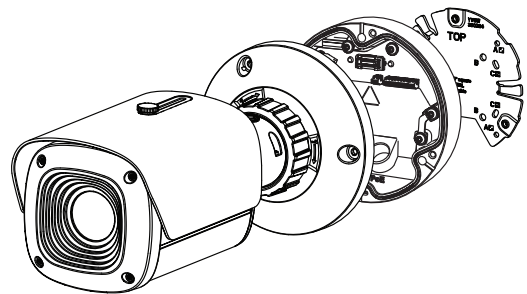


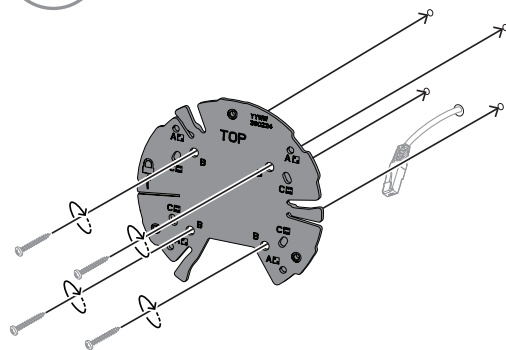
1 |



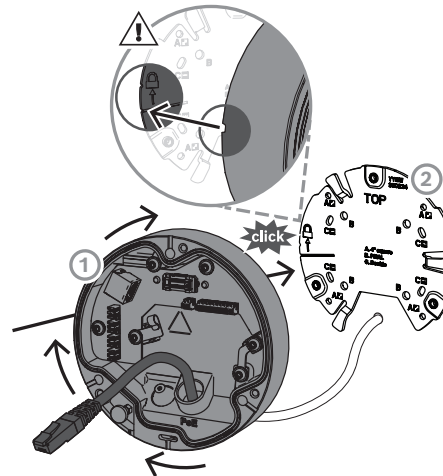
- x1 TR20
- x1 IP67
Ø 7.5-10 mm
Ø 0.3-0.39 in.
- x1 IP66
Ø 5-7 mm
Ø 0.20-0.28 in.



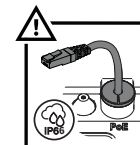
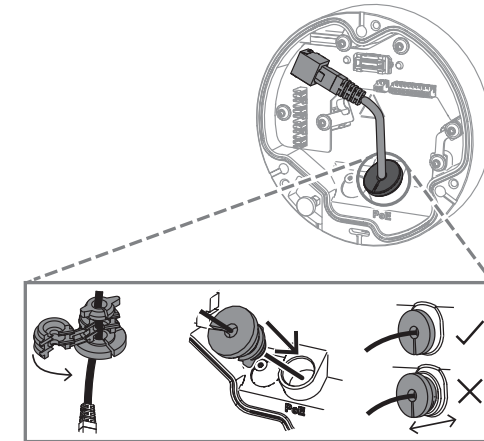
2 |



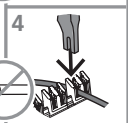
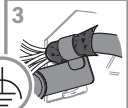
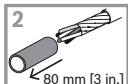
3 |



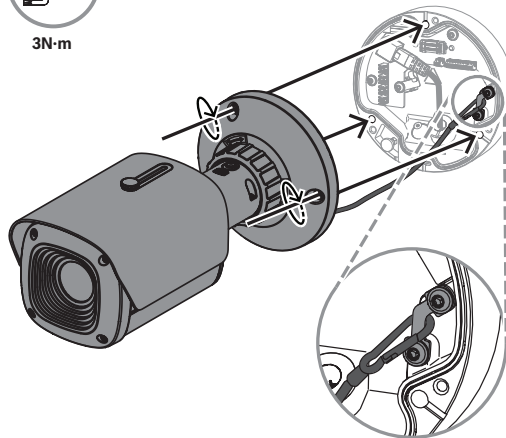
4 |



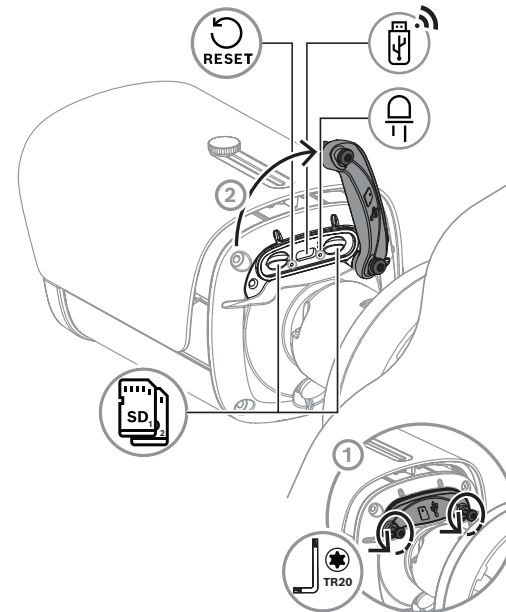
5 |



6 |

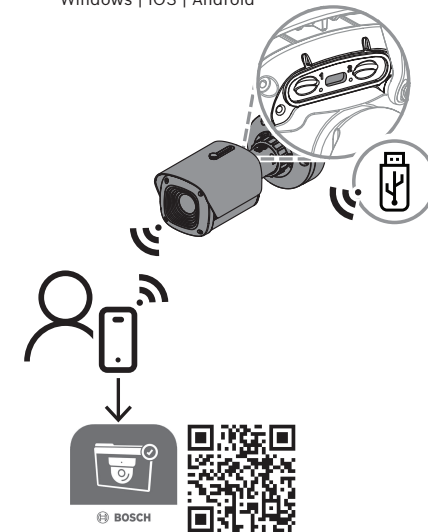


7 |



8 |

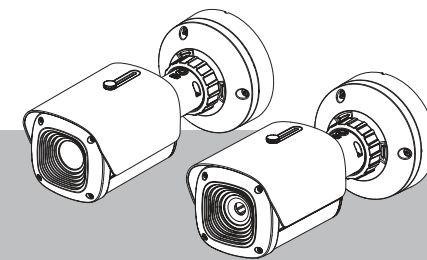
Project Assistant app
Windows | iOS | Android



<https://downloadstore.boschsecurity.com/>

DINION thermal 8100i

NBT-8700-F03QF | NBT-8700-F05QF |
NBT-8700-F09QF | NBT-8700-F18QF |
NBT-8701-F06VF | NBT-8701-F14VF |
NBT-8701-F25VF | NBT-8701-F42VF



en Quick installation guide

Bosch Security Systems B.V.

Torenallee 49

5617 BA Eindhoven

Netherlands

www.boschsecurity.com

© Bosch Security Systems B.V., 2025



Building solutions for a better life

