

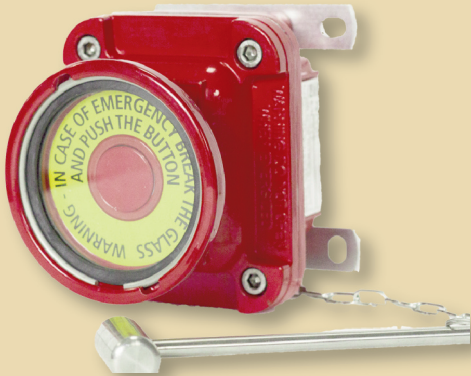
EMERGENCY PUSHBUTTONS with BREAKING GLASS

series
PB

Protection	Gas	Zone	1-2	II2G	Ex db IIC T6÷T4 Gb
	Dusts	Zone	21-22	II2D	Ex tb IIIC T85°C÷T135°C Db

Degree of Protection	IP66
----------------------	------

Amb. Temp.	Standard	-20°C	+40°C
	Extended	-50°C	+80°C



Entries Threading	NPT ANSI B1.20
-------------------	----------------

Material	Aluminum light alloy
----------	----------------------

Painting	External epoxy RAL 3000
----------	-------------------------

Standards and Certificates

Directive 2014/34/EU (ATEX)

EN 60079-0 • EN 60079-1
EN 60079-31

BVI 15 ATEX 0020

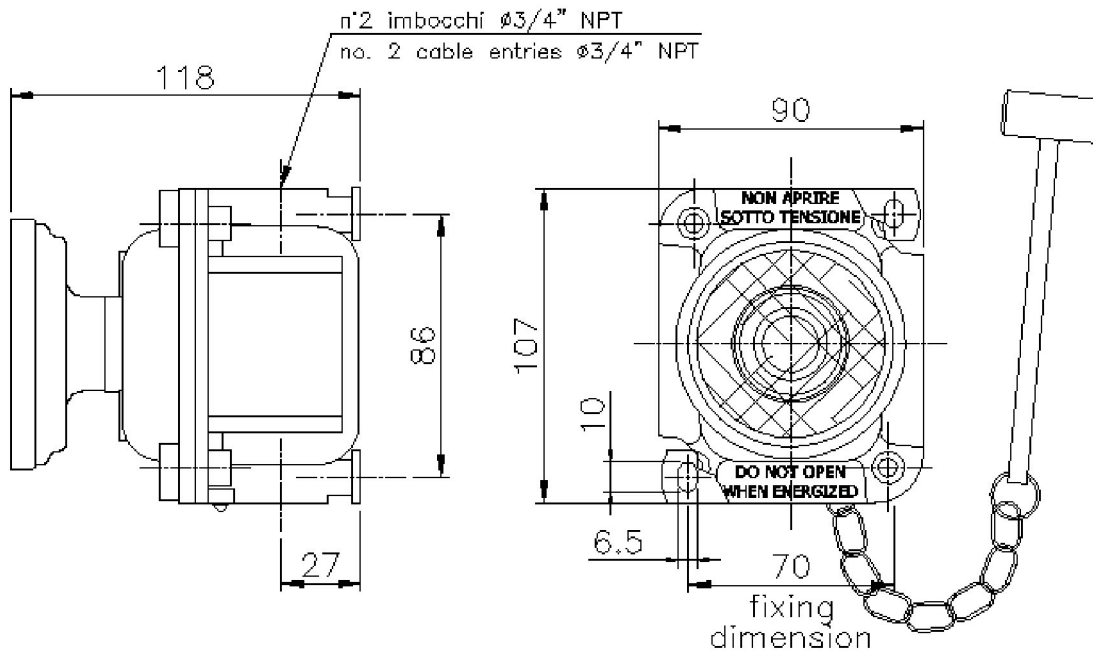
IEC 60079-0 • IEC 60079-1
IEC 60079-31

IECEx EPS 14.0104

- External screws in Stainless Steel AISI 304 (On request AISI 316L).
- External accessories (hammer, chain, glass holder ring) in Stainless Steel.
- Extremely lightweight: 1050 g only.

- Options**
- Two contacts NC or NO.
 - Isometric M25x1,5 (M) cable entries threading.
 - Presence of illuminated pushbutton (*).

- Full execution in AISI 316L (including the external fittings).



NOTES

Installation and maintenance instructions shall be carefully read

The temperature class T6/T85°C considers an Ambient Temperature (A.T.) extended up to +50°C, class T5/T100°C with an A.T. extended up to +65°C and class T4/T135°C an A.T. extended up to +80°C. Using LED lamps, in case of using lighting signallers, the temperature class is T6/T85°C with an A.T. up to +60°C and T5/T100°C for an extended A.T. up to +80°C. In presence of control units only the temperature class is T6/T85°C for an extended A.T. up to +80°C.

(*). It is suggested the use of LED lamps only.

Electric Execution Identification

PB1 E1 (1460)

The breaking of the glass releases the button that shall be pressed to open and / or close a contact (1NO+1NC).

Example: PB 1 E1

Order Coding

Type

PB

Enclosure Size

1 = 1 element

Pushbutton operating code
open/close

E1 = pushbutton to press

E0 = pushbutton in releasing

Threading

N = NPT (std)

M = Metric