

IMPORTANT NOTICES

These call points carry the following approvals:



II 1GD Ex ia IIC T4 Ga (-30°C ≤ Ta ≤ 70°C)
Ex iaD T135°C Da (-20°C ≤ Ta ≤ 40°C) when Pi = 0.75W
(-20°C ≤ Ta ≤ 70°C) when Pi = 0.65W

Sira 06ATEX2131X
IECEX SIR 08.0105X



They are designed and manufactured to protect against other hazards as defined in paragraph 1.2.7 of Annex II of the ATEX Directive 94/9/EC

They are intended for use within Intrinsically Safe (I.S.) Systems utilising suitable Safety Barriers. See System 620 Installation diagram for Intrinsic safety [Cat(ia)]

SPECIAL CONDITIONS FOR SAFE USE (denoted by X after the certificate number)

The enclosure is non-conducting and may generate an ignition-capable level of electrostatic charges under certain extreme conditions. The user should ensure that the equipment is not installed in a location where it may be subjected to external conditions (such as high-pressure steam) which might cause a build-up of electrostatic charges on non-conducting surfaces. Additionally, cleaning of the equipment should be done only with a damp cloth. The Equipment may be used in an ambient temperature range of -30°C to +70°C.

These call points must not be modified in any way as doing so may invalidate the Certification and may compromise the safety of the product.

COSHH - Glass

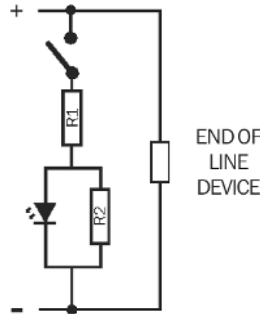
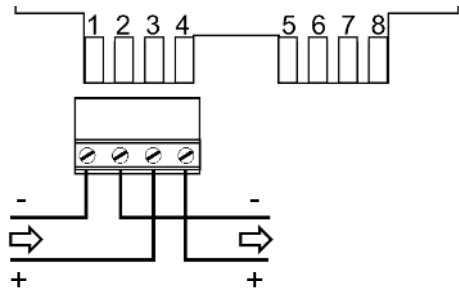
Care must be taken when removing broken glass from the call point. An adhesive Vinyl label fitted to the front of the glass should keep glass fragments together but there is a small risk that glass shards may be present.

MAINTENANCE

Apart from regular testing of the call point (see diagrams above), as part of the scheduled maintenance of the fire alarm system, no additional maintenance is required.

CONNECTION DETAILS

R1 and R2 are 220Ohms 0.5 Watt



INSTALLATION CONSIDERATIONS

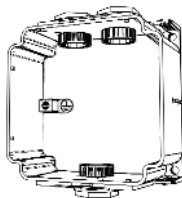
The call points should be installed in a position where they will not be subjected to mechanical stresses, and where the temperature is within the Operating Temperature range.

Areas where there are, or are likely to be, aggressive substances should be avoided. Details of the materials used in the construction of the call point and likely harmful substances can be obtained from the manufacturer at the address below.

The use of lubricants, cleaning solvents or petroleum based products should be avoided.

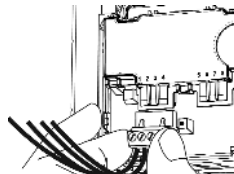
Wall Mounting of Back Box

Mount the back box to a suitably flat surface using the three fixing holes and the screws provided in the installation pack. The cable entry holes should be in the vertical plane. The back box can be mounted with either the single or the double entry holes at the top.



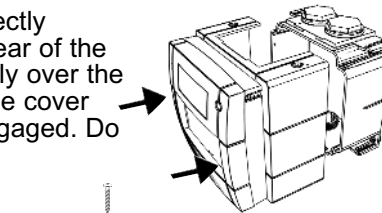
Push Fit Connector

After wiring the terminal connector, plug connector into appropriate position, see connection details.(right) Each terminal will accept a conductor upto 2.5mm² cross sectional area.

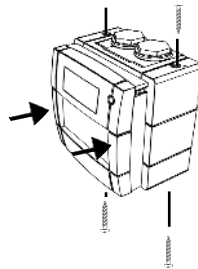


Fitting the WCP Cover to the back box

Ensure that the O-ring is correctly seated in the channel on the rear of the cover. Place the cover squarely over the back box and carefully push the cover until the locating clips have engaged. Do not use excessive force. It is recommended that the 4 cover fixing screws are used to lock the cover into place.

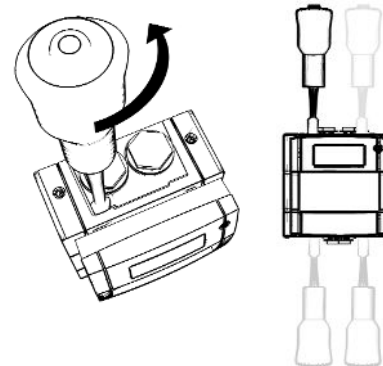


The O-ring should be replaced when refitting or replacing the Waterproof Cover

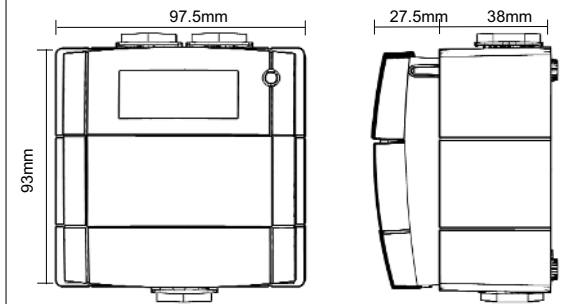


WCP Cover Removal

To remove the cover, undo and remove the 4 Cover fixing screws. Place the edge of a large flat bladed screwdriver into the slot between the Cover and back box as shown right and gently twist until the latches are disengaged. Pull cover away from backbox.



DIMENSIONS



TECHNICAL DATA



270g



li = 500mA



See Important Notices section on reverse for temperature ranges



Ui = 30V



* R=Red, Ral 3001
Y=Yellow, Ral 1006
G=Green, Ral 6016
W=White, Ral 9010
B=Blue, Ral 5002



Pi = 1W



IP67

These ratings must not be exceeded