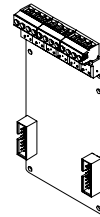


## FCA1203-Z1

en	Output Card 2M 2R	pt	Carta saída 2M 2R
de	Ausgangskarte 2M 2R		
fr	Carte de sortie 2M 2R		
es	Tarjeta de salida 2M 2R		
it	Scheda uscite 2M 2R		
nl	Stuurkaart 2M 2R		

**en** Installation  
**de** Montage  
**fr** Montage  
**es** Montaje  
**it** Montaggio  
**nl** Montage

**pt** Instalação  
 ■■■■■  
 ■■■■■  
 ■■■■■  
 ■■■■■  
 ■■■■■



FCA1203-Z1  
S54400-B142-A1

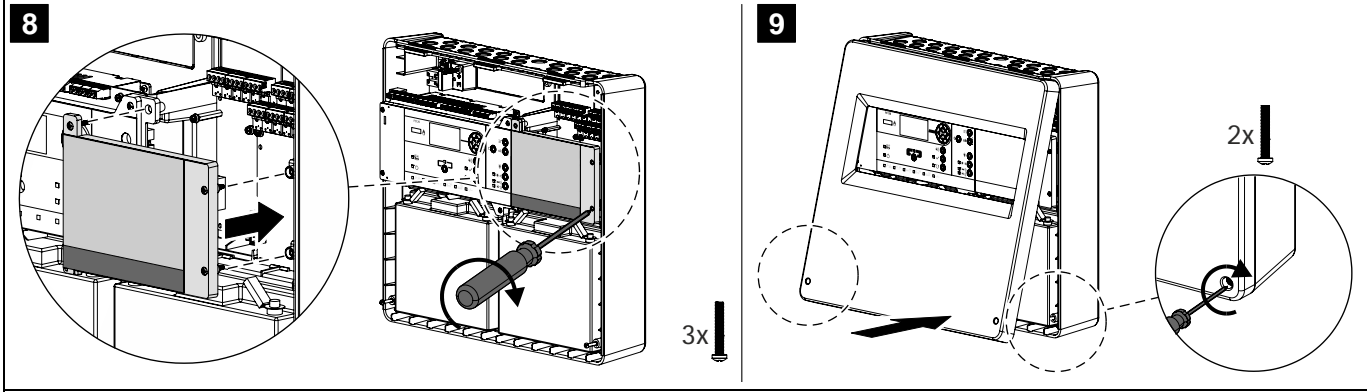
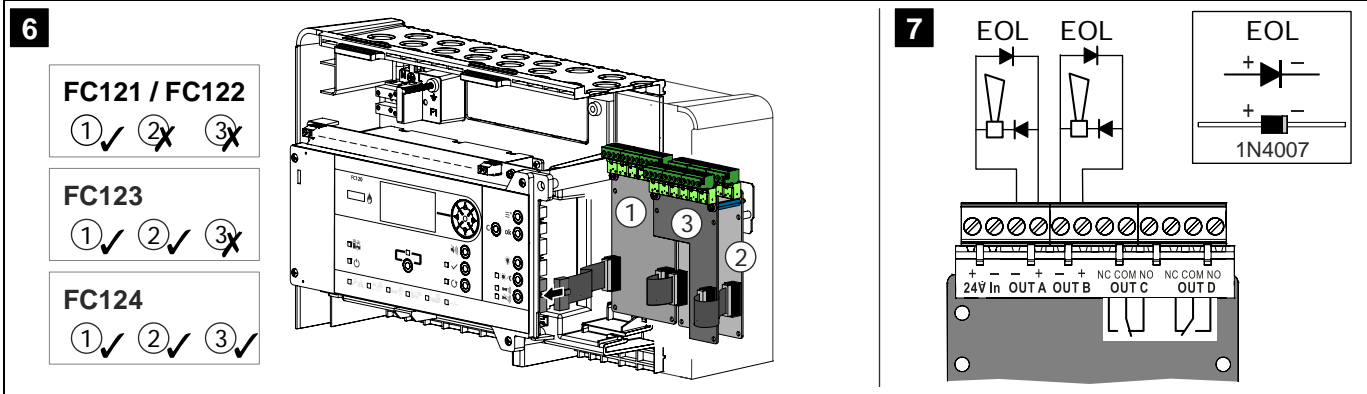
**1**

**2**

**3**

**4**

**5**



**10**

<b>en</b>	Program and test the system
<b>de</b>	System programmieren und testen
<b>fr</b>	Programmer et tester le système
<b>es</b>	Programar y probar el sistema
<b>it</b>	Programmare e testare il sistema
<b>nl</b>	Test het systeem
<b>pt</b>	Programar e testar o sistema

	<b>en</b>	You will find more information in document A6V10393190
	<b>de</b>	Weitere Informationen finden Sie im Dokument A6V10393190
	<b>fr</b>	Pour de plus amples informations, se référer au document A6V10393190
	<b>es</b>	Para más información al respecto, consulte el documento A6V10393190
	<b>it</b>	Per ulteriori informazioni si rimanda al documento A6V10393190
	<b>nl</b>	Meer informatie kunt u vinden in het inbedrijfsteldocument A6V10393190
	<b>pt</b>	Para mais informações, consulte o documento A6V10393190

[www.siemens.com/buildingtechnologies](http://www.siemens.com/buildingtechnologies)

Siemens Switzerland Ltd  
 Infrastructure & Cities Sector  
 Building Technologies Division  
 International Headquarters  
 Gubelstrasse 22  
 CH-6301 Zug  
 Tel. +41 41 - 724 24 24  
[www.siemens.com/buildingtechnologies](http://www.siemens.com/buildingtechnologies)

© 2015 Copyright Siemens Switzerland Ltd  
 Data and design subject to change without notice.