

# MIC Mounting Brackets and Other Accessories

www.boschsecurity.com



**BOSCH**  
Invented for life



- ▶ Full range of mounting brackets and other accessories.
- ▶ Designed to integrate seamlessly with the MIC family.
- ▶ Provides a best-fit solution for virtually any application.
- ▶ Easy to use and install.
- ▶ Accessories extend functionality.

Bosch Security Systems offers a range of mounting brackets and accessory products for the MIC family of cameras. The mounting brackets (for corner, wall, and pole mounting) are available in the standard colors of the MIC family. (Note: Not all colors of mounting brackets are available for all models of MIC cameras.) The accessories have been designed to work seamlessly with MIC cameras to extend their functionality for your application. This datasheet provides an overview of the available MIC accessories. The following accessories have their own datasheets:

- MIC illuminators (for MIC IP camera models)
- MIC Alarm/Washer Interface (MIC-ALM-WAS-24)
- High PoE Midspan models
- VG4-A-PSU series
- VIDEOJET connect 7000 (VJC-7000-90)

The Serial Protocol Software License (MVS-FCOM-PRCL), an e-license key for serial protocol for MIC IP cameras, is also available.

## System overview

### Mounting Accessories

#### Deep Conduit Adapter

The MIC Deep Conduit Adapter (DCA) is designed to allow a weatherproof conduit or cable gland to be fitted to protect the signal cables. The DCA provides a convenient mounting point for a MIC IP camera. The hinge feature allows installers to “hang” the camera temporarily but securely during installation for easier connection of cables/wiring before final bolts are installed.

The DCA has two M25 holes, one in the base and one in the side.

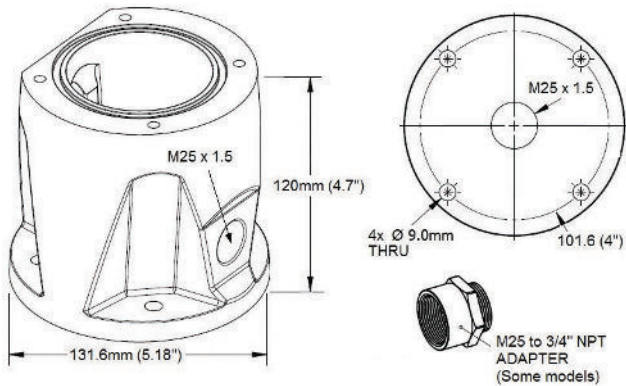
An O-ring seals the camera-to-mount interface to an ingress rating of IP68.

Supplied hardware includes:

- Four (4) M8 x 20 stainless steel hex bolts
- Four (4) M8 stainless steel plain washers
- One (1) O-ring, 80 mm x 3 mm
- One (1) end cap/blanking plug, M25 x 1.5, with O-ring

Certain models (MIC-DCA-HxA) also include:

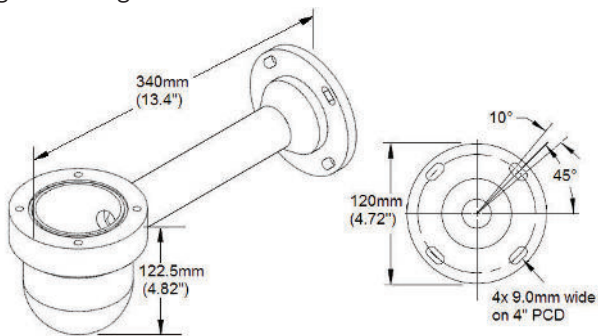
- One (1) conduit adapter (male M25 to female 3/4" NPT)



**Wall Mount Bracket**

The MIC Wall Mount Bracket (MIC-WMB) allows mounting on building walls. It also coordinates with a MIC Pole Mount Bracket (MIC-PMB) and a MIC Shallow Conduit Adapter (MIC-SCA) to allow mounting a MIC camera on a lamp post, scaffolding, or other non-standard mounting post. The MIC-WMB has a deep bowl to accommodate the signal cable connections.

An O-ring seals the camera-to-mount interface to an ingress rating of IP68.

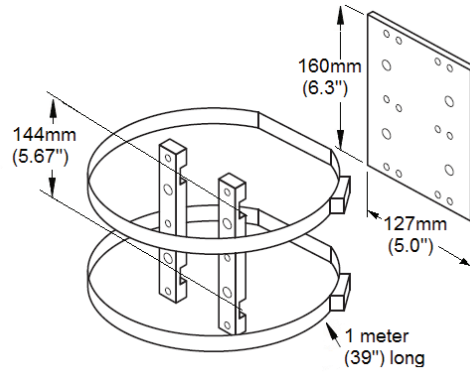


Supplied hardware includes:

- Four (4) M8 x 20 stainless steel hex bolts
- Four (4) M8 stainless steel plain washers
- One (1) O-ring, 80 mm x 3 mm

**Pole Mount Bracket**

The MIC Pole Mount Bracket (MIC-PMB) coordinates with a MIC-SCA and a MIC-WMB to allow mounting a MIC camera on a lamp post, scaffolding, or other non-standard mounting post. The MIC-PMB accommodates a wide range of diameters.

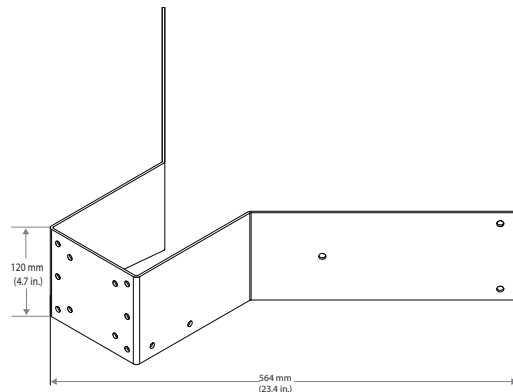


Supplied hardware includes:

- Four (4) M8 x 30 stainless steel cap head bolts
- Six (6) M6 x 20 stainless steel countersunk head bolts
- Two (2) high-torque stainless steel worm drive clips (banding straps), 1 m long
- Two (2) pole mount blocks
- One (1) mounting plate

**Corner Mount Bracket**

The MIC Corner Mount Bracket (MIC-CMB) coordinates with a MIC-SCA and a MIC-WMB to allow mounting a MIC camera on the corner of a building.

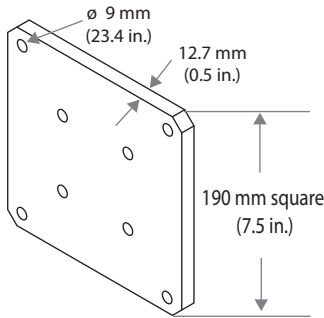


Supplied hardware includes:

- Four (4) M8 x 25 stainless steel hex bolts
- Four (4) M8 stainless steel plain washers
- Four (4) M8 stainless steel nuts

**Spreader Plate**

The MIC Spreader Plate (MIC-SPR) is used to spread the weight of a MIC camera and its supporting brackets so that the camera can be mounted securely to a flat masonry surface.



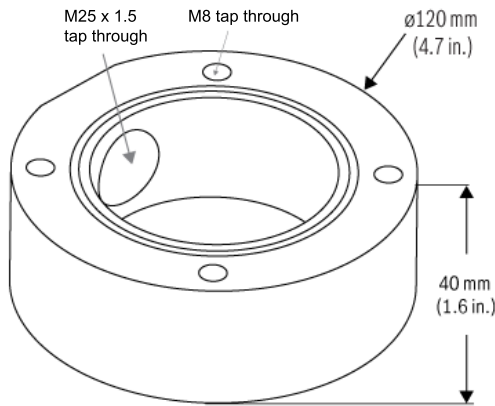
Supplied hardware includes:

- Four (4) M8 x 30 stainless steel cap head bolts
- Four (4) M8 stainless steel plain washers
- Four (4) M8 stainless steel nuts

**Shallow Conduit Adapter**

The MIC Shallow Conduit Adapter (MIC-SCA) is used as required with other mounting brackets. The MIC-SCA has a single M25 side entry conduit fitting hole. There is not sufficient room inside to allow the camera to be mounted to it directly. (Use a MIC-DCA-Hx or a MIC-DCA instead.)

An O-ring seals the camera-to-mount interface to an ingress rating of IP68.



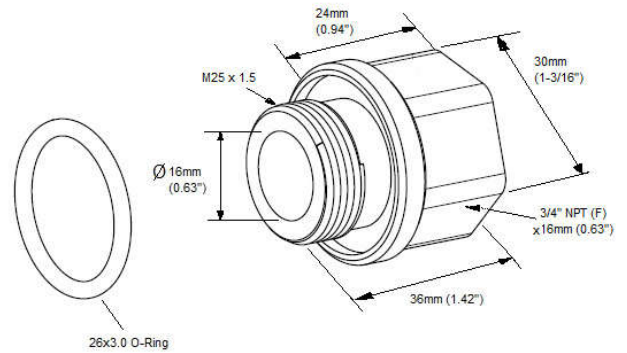
Supplied hardware includes:

- Four (4) M8 x 20 stainless steel hex bolts
- Four (4) M8 stainless steel plain washers
- One (1) O-ring, 80 mm x 3 mm
- One (1) end cap/blanking plug, M25 x 1.5, with O-ring

**Other Hardware Accessories**

**M25 to 3/4" NPT Thread Adapter (MIC-M25XNPT34)**

The conduit adapter (male M25 to female 3/4" NPT) (MIC-M25XNPT34) allows attachment of 3/4" NPT conduit that is popular in the North American region to MIC-DCA-Hx, MIC-DCA, and MIC-SCA mounts that have M25x1.5 threaded holes. This adapter is included with the following DCA models: MIC-DCA-HBA, MIC-DCA-HWA, and MIC-DCA-HGA. The adapter is manufactured from 316 stainless steel and includes a silicone O-ring that seals the adapter to the conduit adapter to an ingress rating of IP68.

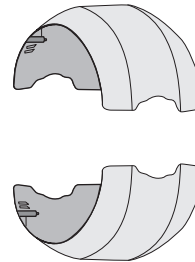


**Sunshield Kits**

Sunshield Kits are available for various MIC cameras. Each kit is designed to provide additional protection for the camera from direct solar radiation, particularly in sunny climates, by reflecting solar exposure, and by creating an insulating gap between the environment and the surface of the camera.

**Sunshield Kit for MIC IP fusion 9000i cameras**

The Sunshield Kit for MIC IP fusion 9000i cameras (MIC-9K-SNSHLD-W) includes two (2) white, molded shells that attach to the tilt head of the camera.



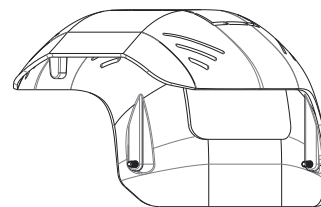
Supplied hardware includes:

- Four (4) M4 x 8 stainless steel socket head Torx screws
- Four (4) M4 stainless steel flat washers

**Sunshield for MIC IP ultra 7100i and MIC IP starlight 7100i**

The one-piece sunshield (MIC-7100I-SNSHLD-W) attaches to the head of MIC IP ultra 7100i and MIC IP starlight 7100i cameras.

The sunshield has a section that installers can cut out, before installation, to make space to install a MIC illuminator.



Supplied hardware includes:

- Two (2) M4 x 8 Torx screws, of stainless steel, with socket heads

**Washer Kit**

The MIC washer kit (MIC-WKT-IR) connects a washer pump and water reservoir tank to a MIC camera.

Supplied hardware includes:

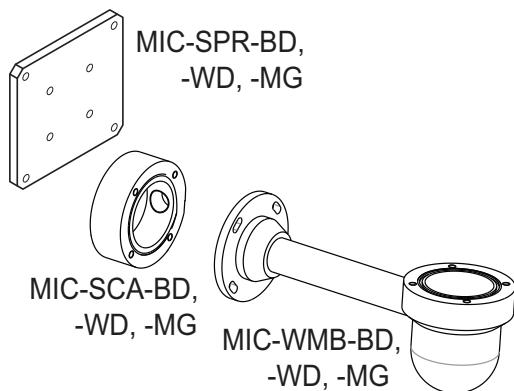
- One (1) washer jet nozzle
- Two (2) mounting brackets for the washer jet nozzle

**Certifications and approvals**

Region	Regulatory compliance/quality marks	
Europe	CE	- MIC-9K-IP67-5PK

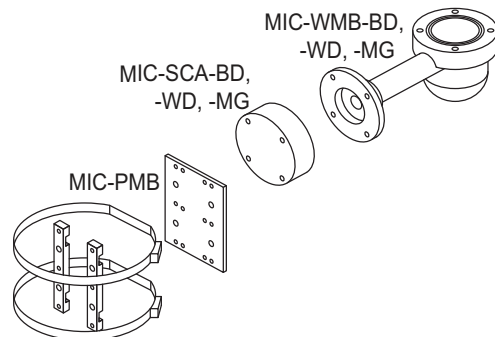
**Installation/configuration notes**

**Typical Mounting Arrangement, Wall mount**



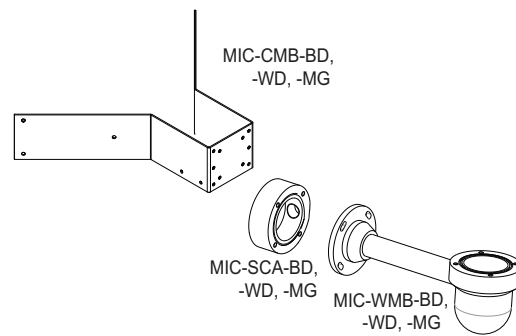
*Typical Wall mount configuration*  
Not shown: Mounting hardware.

**Typical Mounting Arrangement, Pole mount**



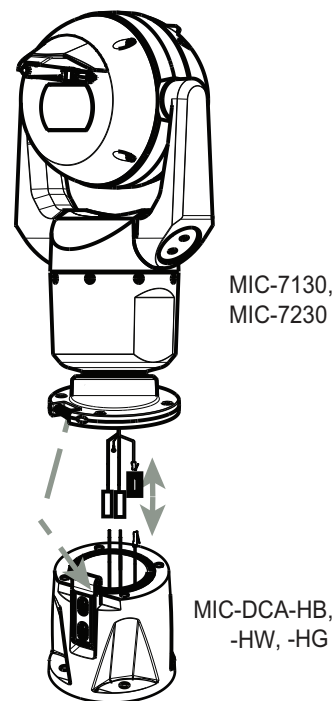
*Typical Pole mount configuration*  
Not shown: Mounting hardware.

**Typical Mounting Arrangement, Corner mount**



*Typical Corner mount configuration*  
Not shown: Mounting hardware.

**Typical Mounting Arrangement, hinged DCA**



*Typical hinged DCA mount configuration*

**Technical specifications**

MIC Hinged DCA		
Dimensions (H x W)	120 x 131.6 mm (4.7 x 5.18 in.)	
Weight	2.5 kg (5.5 lb)	
Material	solid aluminum with painted polyester finish as below	
	MIC-DCA-HB	Black (RAL 9005), sand finish
	MIC-DCA-HW	White (RAL 9010), sand finish
	MIC-DCA-HG	Grey (RAL 9006), sand finish (Available in specific regions only.)
	MIC-DCA-HBA	Black (RAL 9005), sand finish

	MIC-DCA-HWA	White (RAL 9010), sand finish
	MIC-DCA-HGA	Grey (RAL 9006), sand finish (Available in specific regions only.)

## MIC Wall Mount Bracket

Dimensions (W x H x D)	340 x 124 x 120 mm (13 x 5 x 4.7 in.)	
Weight	1.95 kg (4.5 lb)	
Material	solid aluminum with painted polyester finish as below:	
	MIC-WMB-BD	Black (RAL 9005), sand finish
	MIC-WMB-WD	White (RAL 9010), sand finish
	MIC-WMB-MG	Grey (RAL 7001), sand finish (Available in specific regions only.)

## MIC Pole Mount Bracket (MIC-PMB)

Dimensions (W x H x D)	127 x 160 x 9.5 mm (25.375 with pole mount blocks fitted) (5 x 6 x 0.4 in.)	
Weight	1.7 kg (3.75 lb)	
Material	Mounting bracket, mounting blocks: Aluminum Banding straps: Stainless steel	
Finish color	Clear anodized	

## MIC Corner Mount Bracket

Dimensions (W x H x D)	564 x 120 x 394 mm (23 x 4.7 x 15.5 in.)	
Weight	2.9 kg (6.5 lb)	
Material	solid aluminum with painted polyester finish as below:	
	MIC-CMB-BD	Black (RAL 9005), sand finish
	MIC-CMB-WD	White (RAL 9010), sand finish
	MIC-CMB-MG	Grey (RAL 7001), sand finish (Available in specific regions only.)

## MIC Spreader Plate

Dimensions (W x H x D)	190 x 190 x 12.7 mm (7.5 x 7.5 x 0.5 in.)	
Weight	1.24 kg (2.7 lb)	
Material	solid aluminum with painted polyester finish as below:	
	MIC-SPR-BD	Black (RAL 9005), sand finish
	MIC-SPR-WD	White (RAL 9010), sand finish
	MIC-SPR-MG	Grey (RAL 7001), sand finish (Available in specific regions only.)

## MIC Shallow Conduit Adapter

Dimensions (H x D)	40 x 120 mm (1.6 x 4.7 in.)	
Weight	0.78 kg (1.7 lb)	
Material	solid aluminum with painted polyester finish as below:	
	MIC-SCA-BD	Black (RAL 9005), sand finish
	MIC-SCA-WD	White (RAL 9010), sand finish
	MIC-SCA-MG	Grey (RAL 7001), sand finish (Available in specific regions only.)

## Sunshield for MIC IP fusion 9000i thermal cameras (MIC-9K-SNSHLD-W)

Dimensions (W x H x D)	150 x 232 x 110 mm (5.9 x 9.1 x 4.3 in.)	
Weight	0.40 kg (14 oz)	

**Sunshield for MIC IP ultra 7100i and MIC IP starlight 7100i**

Dimensions (L x W x H)	210 mm x 191 mm x 139 mm (8.3 in. x 7.5 in. x 5.5 in.)	
Weight	0.194 kg (0.4 lb)	
Construction Material	Plastic	
Color	White	

**Ordering information**

**MIC-DCA-HB Deep conduit mount, M25 holes, black**  
DCA mount for MIC7000 and MIC IP fusion 9000i cameras. Aluminum. Two M25 holes for conduit/cable glands.  
Black (RAL 9005) color.  
Order number **MIC-DCA-HB**

**MIC-DCA-HW Deep conduit mount, two M25 holes, white**  
DCA mount for MIC7000 and MIC IP fusion 9000i cameras. Aluminum. Two M25 holes for conduit/cable glands.  
White (RAL 9010) color.  
Order number **MIC-DCA-HW**

**MIC-DCA-HG Deep conduit mount, two M25 holes, grey**  
DCA mount for MIC7000 and MIC IP fusion 9000i cameras. Aluminum. Two M25 holes for conduit/cable glands.  
Grey (RAL 7001) color. Available in specific regions only.  
Order number **MIC-DCA-HG**

**MIC-DCA-HBA Deep conduit mount, M25 holes, black**  
DCA mount for MIC7000 and MIC IP fusion 9000i cameras. Aluminum. Two M25 holes for conduit/cable glands. Includes an conduit adapter (male M25 to female 3/4" NPT). Available in specific regions only.  
Black (RAL 9005) color.  
Order number **MIC-DCA-HBA**

**MIC-DCA-HWA Deep conduit mount, M25 holes, white**  
DCA mount for MIC7000 and MIC IP fusion 9000i cameras. Aluminum. Two M25 holes for conduit/cable glands. Includes an conduit adapter (male M25 to female 3/4" NPT). Available in specific regions only.  
White (RAL 9010) color.  
Order number **MIC-DCA-HWA**

**MIC-DCA-HGA Deep conduit mount, M25 holes, grey**  
DCA mount for MIC7000 and MIC IP fusion 9000i cameras. Aluminum. Two M25 holes for conduit/cable glands. Includes an conduit adapter (male M25 to female 3/4" NPT). Available in specific regions only.  
Grey (RAL 7001) color.  
Order number **MIC-DCA-HGA**

**MIC-WMB-BD Wall mount bracket , black**  
Wall mount bracket, black sand finish (RAL9005)  
Order number **MIC-WMB-BD**

**MIC-WMB-WD Wall mount bracket, white**  
Wall mount bracket, white sand finish (RAL9010)  
Order number **MIC-WMB-WD**

**MIC-WMB-GD Wall mount bracket , grey sand**  
Wall mount bracket, Grey (RAL 9006), sand finish, for MIC-612xxxG36x series cameras  
Order number **MIC-WMB-GD**

**MIC-WMB-MG Wall mount for rugged PTZ camera, grey**  
Wall Mount Bracket.  
Grey (RAL 7001). Available in specific regions only.  
Sand finish.  
Order number **MIC-WMB-MG**

**MIC-PMB Pole mount bracket**  
Pole mount bracket (includes 2 x 455 mm stainless steel banding straps for pole diameters 75 to 145 mm)  
Order number **MIC-PMB**

**MIC-CMB-BD Corner mount bracket, black**  
Corner mount bracket, black sand finish (RAL9005)  
Order number **MIC-CMB-BD**

**MIC-CMB-WD Corner mount bracket, white**  
Corner mount bracket, white sand finish (RAL9010)  
Order number **MIC-CMB-WD**

**MIC-CMB-MG Corner mount bracket, grey sand**  
Corner mount bracket.  
Grey (RAL 7001). Available in specific regions only.  
Sand finish.  
Order number **MIC-CMB-MG**

**MIC-SPR-BD Wall mount spreader plate, black sand**  
Aluminum spreader plate suitable for brickwork surface mounting, black sand finish (RAL9005)  
Order number **MIC-SPR-BD**

**MIC-SPR-WD Wall mount spreader plate, white sand**  
Aluminum spreader plate suitable for brickwork surface mounting, white sand finish (RAL9010)  
Order number **MIC-SPR-WD**

**MIC-SPR-GD Wall mount spreader plate, grey sand**  
Aluminum spreader plate suitable for brickwork surface mounting, grey sand finish (RAL 9006), for MIC-612xxxG36x series cameras  
Order number **MIC-SPR-GD**

**MIC-SPR-MG Wall mount spreader plate, grey sand**  
Aluminum spreader plate suitable for brickwork surface mounting.  
Grey (RAL 7001). Available in specific regions only.  
Sand finish.  
Order number **MIC-SPR-MG**

**MIC-SCA-BD Shallow conduit adapter, black sand**  
Shallow conduit adapter for a MIC-WMB, a MIC-PMB, or a MIC-SPR, black sand finish (RAL9005)  
Order number **MIC-SCA-BD**

**MIC-SCA-WD Shallow conduit adapter, white sand**  
Shallow conduit adapter for a MIC-WMB, a MIC-PMB, or a MIC-SPR mount, white sand finish (RAL9010)  
Order number **MIC-SCA-WD**

**MIC-SCA-GD Shallow conduit adapter, grey sand**

Shallow conduit adapter for a MIC-WMB, a MIC-PMB, or a MIC-SPR, grey sand finish (RAL 9006), for MIC-612xxxD36x series  
Order number **MIC-SCA-GD**

**MIC-SCA-MG Conduit adapter, shallow, grey sand**

Shallow conduit adapter for a MIC-WMB, a MIC-PMB, or a MIC-SPR.  
Grey (RAL 7001). Available in specific regions only.  
Sand finish.  
Order number **MIC-SCA-MG**

**MIC-M25XNPT34 Adapter, M25 to 3/4"NPT, stainless steel**

Stainless Steel M25 to 3/4" NPT thread adapter  
Order number **MIC-M25XNPT34**

**MIC-67SUNSHLD Sunshield for MIC7000 series, white**

Three-part molded sunshield for MIC7000 cameras – 1 bottom shell, 2 top shells (1 for around the optional illuminator accessory). White.  
Order number **MIC-67SUNSHLD**

**MIC-9K-SNSHLD-W Sunshield thermal PTZ camera, white**

Sunshield kit for MIC IP fusion 9000i cameras, white color. Recommended for use with white color MIC IP fusion 9000i cameras installed in locations with high sun load.  
Order number **MIC-9K-SNSHLD-W**

**MIC-BP3 Biphase converter, for power supply**

Biphase converter for IR power supplies or non-IR power supplies without a free expansion slot available  
Order number **MIC-BP3**

**MIC-BP4 Biphase converter, for power supply**

Biphase converter for non-IR versions of MIC series power supply units  
Order number **MIC-BP4**

**MIC-ALM 8 input alarm card for MIC400 non IR PSU**

8 Input alarm and washer pump drive card for PSU (Not for IR PSU). Requires washer pump, purchase separately.  
Order number **MIC-ALM**

**MIC-WKT Washer kit, MIC non IR**

Washer kit for non-infrared MIC camera models.  
Order number **MIC-WKT**

**MIC-WKT-IR Washer kit, MIC IR**

Washer kit for analog infrared MIC camera models as well as for MIC IP starlight 7000i and MIC IP fusion 9000i camera models.  
Order number **MIC-WKT-IR**

**Represented by:**

**Europe, Middle East, Africa:**  
Bosch Security Systems B.V.  
P.O. Box 80002  
5600 JB Eindhoven, The Netherlands  
Phone: + 31 40 2577 284  
emea.securitysystems@bosch.com  
emea.boschsecurity.com

**Germany:**  
Bosch Sicherheitssysteme GmbH  
Robert-Bosch-Ring 5  
85630 Grasbrunn  
Germany  
www.boschsecurity.com

**North America:**  
Bosch Security Systems, Inc.  
130 Perinton Parkway  
Fairport, New York, 14450, USA  
Phone: +1 800 289 0096  
Fax: +1 585 223 9180  
onlinehelp@us.bosch.com  
www.boschsecurity.us

**Asia-Pacific:**  
Robert Bosch (SEA) Pte Ltd, Security Systems  
11 Bishan Street 21  
Singapore 573943  
Phone: +65 6571 2808  
Fax: +65 6571 2699  
apr.securitysystems@bosch.com  
www.boschsecurity.asia