

PYRA FLASHING LIGHTS 15 JOULE

PY X-L-15 | PY X-L-15-CPR



Powerful flashing light with 15J in an extreme robust enclosure for any outdoor and indoor application with IP66 and IK08

- Huge visual 3D-coverage area, more as double as a 10J flashing light
- Easy and safe installation design for failure free mounting in shortest time
- Approvals: EAC, UL or VdS, EN54-23 for any markets including fire alarm applications
- Selectable flash frequency and synchronized flash, one fits all and avoiding of epilepsy
- Option: control input to activate flash, direct control via PLC



protection system



impact-proof housing



operating temperature



DC version



CPR version only lens red and clear



CPR version



warranty



PRODUCT PY X-L-15 CPR

PRODUCT	PY X-L-15					CPR
DATA						
Rated voltage	230 V AC	115 V AC	24 V AC	24 V DC	24 V DC	
	AC 50 60 Hz			DC		
Operating range	187–255 V	90–135 V	21,6–26,4 V	19,2–28,8 V	19,2–28,8 V	
Nominal current consumption	150 mA @ 1 Hz	300 mA @ 1 Hz	890 mA @ 1 Hz	540 mA @ 1 Hz	700 mA @ 1 Hz	
Flash energy and flash rate	15 J @ 0,1 0,5 0,75 1 Hz					
Light source	xenon flash tube					
Light intensity (DIN 5037) ¹	190 cd					
Max. viewing distance	320 m					
Operating temperature	–40 °C ... +55 °C					
Storage temperature	–40 °C ... +70 °C					
Relative humidity	max. 90 %					
Degrees of protection	IP 66 (EN 60529) / NEMA 4/4X					
Impact resistance as per EN 50102	IK08					
Protection class	II					
Service life of light source	light emission still 70 % after 8,000,000 flashes					
Material	housing	PC/ABS, RAL 3000 ● PC/ABS, RAL 7035 ●				
	lens	/ ● ● ● ● ● polycarbonate (PC)				
Cable entry	4x M20 (prepared)					
Sealing range of diaphragm nipple	7–13 mm - With the use of cable diameters <7 mm, a cable screw joint with sufficient ingress protection must be provided					
Connecting terminal	0,14 - 2,5mm ² fine wire / AWG 24 - AWG 14 (stranded)					
Weight (net)	690 g				660 g	

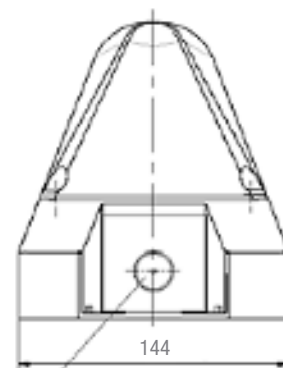
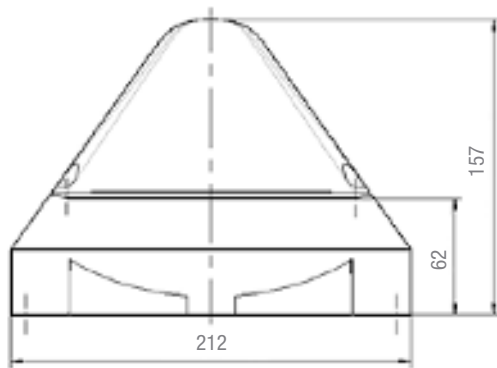
¹ with a clear lens

OPTIONS/ACCESSORIES

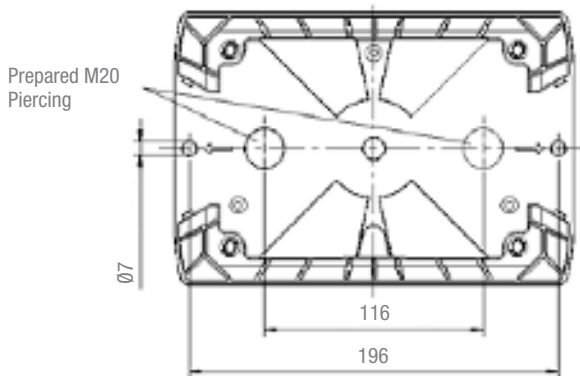


DIMENSIONS

PY X-L-15



Prepared M20 Piercing



ARTICLE NO.		PY X-L-15		PY X-L-15-CPR
HOUSING COLOUR	LENS COLOUR	230 V AC	24 V DC	24 V DC
●	∕			21561801020
●	●	21561103000	21561803000	on request (VdS)
●	●	21561104000	21561804000	on request (VdS)
●	●	21561105000	21561805000	21561805050
●	∕			on request
●	●	21561103055	21561803055	on request (VdS)
●	●	21561104055	21561804055	on request (VdS)
●	●	21561105055	21561805055	on request

Article numbers for other colours and voltages on request.

CONFORMITY TO STANDARDS

The visual characteristics of flashing lights conform to the European standard DIN EN 842; “**Machine safety – visual alarm signals**”.

Requirements contained in the DIN EN 981 standard; “**Machine safety – system of acoustic and visual alarm and information signals**”, can be fulfilled.

The colours “red” for the emergency signal and “yellow” for the warning signal conform to the requirements of IEC 73 / DIN EN 60073 / VDE 0199; “**Coding of display devices and control elements using colours and supplementary means**”.

References to visual alarm devices can be found in the following standards:

- EN 60825-1 Radiation safety of laser devices, identical to IEC 825 and DIN-VDE 0837
- DIN EN 54 Fire alarm systems
- DIN 54113-2 Radiation protection regulations for the technical operation of X-ray equipment up to 500 kV