

# SOUNDERS 108/114 DB(A) DS 5 / DS 10



The sounders from the DS 10 / DS 5 series can be used for tough demands under industrial conditions and as universal alarms. The sounders, which are suitable for use both indoors and outdoors, generate warning signals in 31 different tones can be selected with the aid of an internal switch. Optionally, a maximum of 3 additional tones can be switched to by means of an external controller. In addition to the factory settings, the tone combination can be individually selected by means of on-site programming (tone 32).

Custom versions are available for special applications. The GL version is especially resistant to shock and vibration.

- Volume control (DS 5).



protection system



operating temperature



acoustic penetration



warranty



## PRODUCT DS 5

| DATA                        | 195-253 V     | 95-127 V | 19-29 V | 10-15 V | 19-29 V | 41-53 V |
|-----------------------------|---------------|----------|---------|---------|---------|---------|
| Operating range             | AC 50   60 Hz |          |         | DC      |         |         |
| Nominal current consumption | 30 mA         | 60 mA    | 280 mA  | 280 mA  | 280 mA  | 280 mA  |

## PRODUCT DS 10

| DATA                        | 195-253 V     | 95-127 V | 19-29 V | 10-15 V | 19-29 V | 41-53 V |
|-----------------------------|---------------|----------|---------|---------|---------|---------|
| Operating range             | AC 50   60 Hz |          |         | DC      |         |         |
| Nominal current consumption | 60 mA         | 120 mA   | 420 mA  | 30 mA   | 420 mA  | 420 mA  |

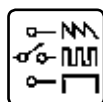
## PRODUCT DS 5 DS 10

| DATA                                   | DS 5  | DS 10     |
|--|---|-----------|
| Sound pressure level                   | 108 dB(A)   | 114 dB(A) |
| Sound pressure level @DIN-tone         | 107 dB(A)   | 112 dB(A) |
| Sound level reduction                  | -20 dB via potentiometer (optional)   |           |
| Alarm tones                            | 32 / 4 tones are externally selectable  |           |
| Operating temperature                  | -40 °C ... +55 °C   |           |
| Storage temperature                    | -40 °C ... +70 °C   |           |
| Relative humidity                      | 90 %  |           |
| Protection system according to EN 6052 | IP 66   IP 67   |           |
| Material                               | die-cast aluminium GD-Al Si12 Cu  |           |
| Surface coating                        | epoxy resin paint RAL 3000, flame red   |           |
| Cable bushing                          | 2x M20 (1x chrome-plated brass cable fitting, 1x chrome-plated brass blanking plug) |           |
| Clamping range of the cable fitting    | 8-12 mm   |           |
| Connecting terminals                   | max. 2.5 mm <sup>2</sup>  |           |
| Weight                                 | AC: 2.15 kg   DC: 1.95 kg   |           |

## OPTIONS/ACCESSORIES



LSR: volume control



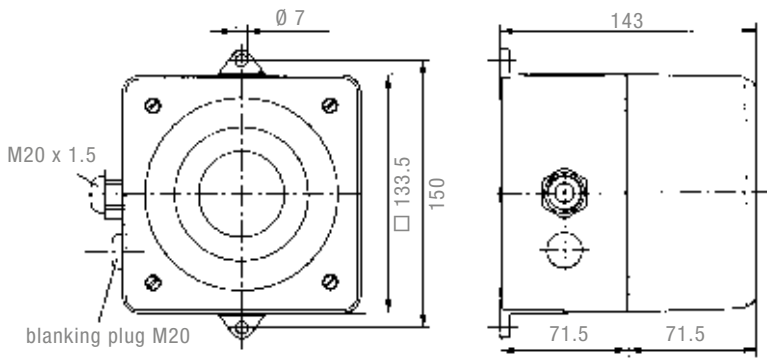
TAS: External tone selection (2 variants) for controlling several tones over great distances:  
1. for all voltages = potential-free NO function  
2. for 12 V / 24 V = voltage input



GL  
30457-83-HH



**DIMENSIONS**



| TONE TABLE     |  |                    |   |     |     |  |       |   |   |  |  |
|----------------|--|--------------------|---|-----|-----|--|-------|---|---|--|--|
| NO.            | DESCRIPTION – BASIC TONE<br>(PRESET: TONE 2)                       | STAGE              |   |     | NO. | DESCRIPTION – BASIC TONE<br>(PRESET: TONE 2) | STAGE |   |   |  |  |
|                |  | 2                  | 3 | 4   |     |  | 2     | 3 | 4 |  |  |
| 0              | no tone  |                    | 2 | 88  | 57  |  |       |   |   |  |  |
| 2 <sup>1</sup> | Sawtooth, DIN tone 33404-3 Germany (emergency signal), PFEER PTAP  | 1200 Hz<br>500 Hz  |   | 128 | 112 | 57   |       |   |   |  |  |
| 15             | Slow whoop, NEN 2575 evacuation alarm Netherlands                  | 1200 Hz<br>500 Hz  |   | 131 | 54  | 112  |       |   |   |  |  |
| 23             | Siren  | 2400 Hz<br>500 Hz  |   | 24  | 60  | 112  |       |   |   |  |  |
| 24             | Siren  | 1200 Hz<br>300 Hz  |   | 55  | 23  | 131  |       |   |   |  |  |
| 26             | Pulsating tone, industrial alarm Germany                           | 1000 Hz<br>150 Hz  |   | 2   | 100 | 93   |       |   |   |  |  |
| 31             | Sweeping, France NFC48-265   | 1600 Hz<br>1400 Hz |   | 128 | 54  | 57   |       |   |   |  |  |
| 32             | Selection of available tone combinations in stages 2, 3 and 4      |                    |   |     |     |  |       |   |   |  |  |
| 36             | Sweeping   | 1500 Hz<br>700 Hz  |   | 146 | 67  | 57   |       |   |   |  |  |
| 45             | Sweeping   | 1200 Hz<br>500 Hz  |   | 2   | 57  | 93   |       |   |   |  |  |
| 54             | Continuous tone, Finland (all-clear signal)                        | 1500 Hz            |   | 2   | 57  | 67   |       |   |   |  |  |
| 55             | Continuous tone, PFEER gas alarm                                   | 1200 Hz            |   | 2   | 88  | 128  |       |   |   |  |  |
| 57             | Continuous tone, UK BS5839-1                                       | 950 Hz             |   | 2   | 128 | 88   |       |   |   |  |  |
| 60             | Continuous tone  | 825 Hz             |   | 24  | 93  | 125  |       |   |   |  |  |
| 63             | Continuous tone  | 725 Hz             |   | 2   | 97  | 93   |       |   |   |  |  |
| 67             | Continuous tone, Germany KTA3901 (all-clear signal)                | 500 Hz             |   | 24  | 93  | 125  |       |   |   |  |  |
| 88             | Interrupted tone   | 950 Hz             |   | 2   | 57  | 128  |       |   |   |  |  |
| 90             | Interrupted tone   | 825 Hz             |   | 2   | 127 | 108  |       |   |   |  |  |
| 92             | Interrupted tone   | 800 Hz             |   | 131 | 146 | 57   |       |   |   |  |  |
| 93             | Interrupted tone (fast), horn                                      | 800 Hz<br>725 Hz   |   | 2   | 128 | 57   |       |   |   |  |  |
| 97             | Interrupted tone   | 700 Hz             |   | 2   | 63  | 93   |       |   |   |  |  |
| 98             | Interrupted tone, Sweden SS031711 (emergency signal)               | 680 Hz             |   | 112 | 128 | 57   |       |   |   |  |  |
| 100            | Interrupted tone, industrial alarm Germany                         | 500 Hz             |   | 2   | 57  | 125  |       |   |   |  |  |
| 108            | Interrupted tone   | 950 Hz             |   | 2   | 127 | 60   |       |   |   |  |  |
| 112            | Interrupted tone, ISO8201 (emergency evacuation signal)            | 950 Hz             |   | 2   | 57  | 128  |       |   |   |  |  |
| 116            | Interrupted tone, IMO (leave ship)                                 | 825 Hz             |   | 117 | 93  | 125  |       |   |   |  |  |
| 117            | Interrupted tone, IMO SOLAS III/50 + SOLAS III/6.4 (general alarm) | 1400 Hz<br>1200 Hz |   | 93  | 116 | 125  |       |   |   |  |  |
| 125            | Alternating tone   | 1075 Hz<br>825 Hz  |   | 57  | 93  | 24   |       |   |   |  |  |
| 127            | Alternating tone   | 1025 Hz<br>825 Hz  |   | 2   | 90  | 60   |       |   |   |  |  |
| 128            | Alternating tone   | 1000 Hz<br>800 Hz  |   | 2   | 112 | 57   |       |   |   |  |  |
| 131            | Alternating tone, UK BS5839-1 (fire alarm, railway crossing)       | 900 Hz<br>500 Hz   |   | 24  | 55  | 23   |       |   |   |  |  |
| 142            | Alternating tone   | 554 Hz<br>440 Hz   |   | 2   | 54  | 88   |       |   |   |  |  |
| 146            | Alternating tone, France NFS 32-001 (fire alarm)                   |                    |   | 128 | 67  | 57   |       |   |   |  |  |

<sup>1</sup> factory setting

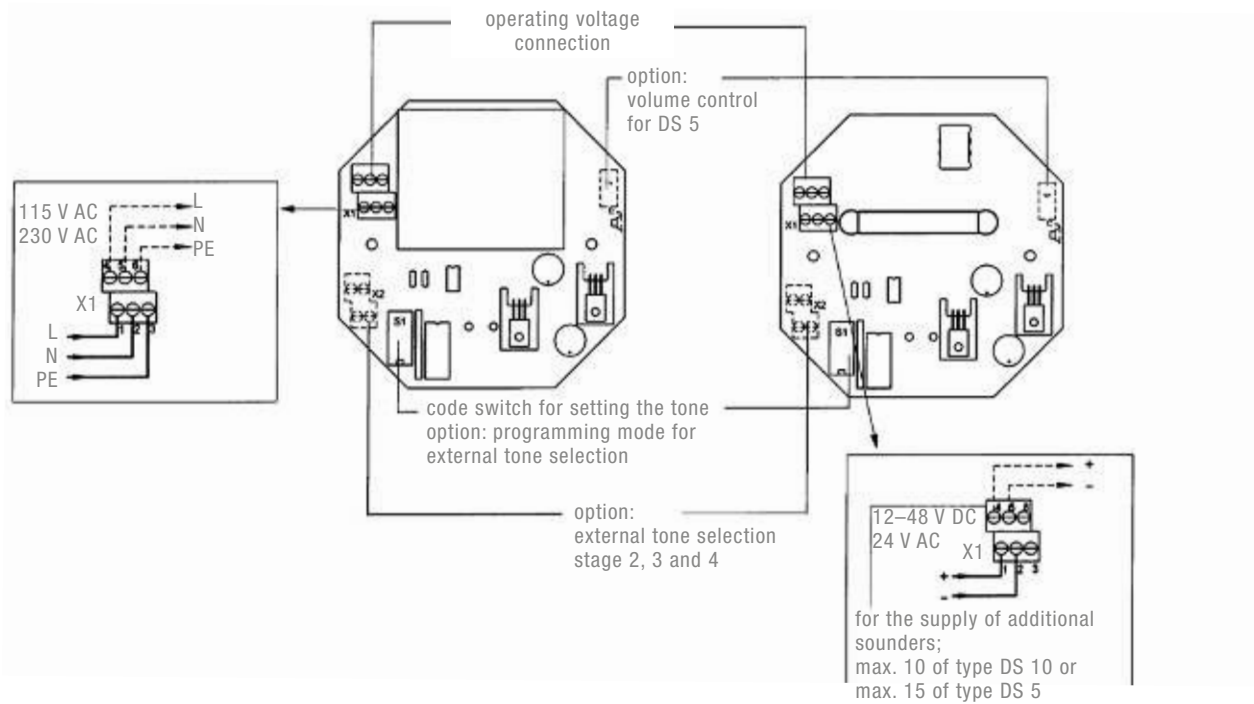
| ARTICLE NO. | DS 5        |             |             | DS 10       |             |             |
|-------------|-------------|-------------|-------------|-------------|-------------|-------------|
|             | 230 V AC    | 115 V AC    | 24 V DC     | 230 V AC    | 115 V AC    | 24 V DC     |
| Standard    | 23106100000 | 23106150000 | 23106800000 | 23111100000 | 23111150000 | 23111800000 |
| GL          | 23106100001 | 23106150001 | 23106800001 | 23111100001 | 23111150001 | 23111800001 |
| LSR         | 23106100151 | 23106150151 | 23106800151 |             |             |             |
| TAS         | 23106100152 | 23106150152 | 23106800152 | 23111100152 | 23111150152 | 23111800152 |

Article numbers for other voltages and versions on request.

## CONNECTION DIAGRAM

DS 5 | DS 10 – AC

DS 5 | DS 10 – DC



## CONFORMITY TO STANDARDS

|  |  |                    |   |
|--|--|--------------------|---|
| DIN EN 54-3: 2001 +<br>DIN EN 54-3/A1: 2001<br>EN 50 130-4: 1996 | Fire alarm systems – part 3: fire alarm devices;<br>Audible signaling devices and annex A1<br>Stability of system components for fire and<br>burglar alarm systems | DIN EN ISO 7731    | Ergonomic – alarms for public areas<br>and workplaces – acoustic alarms |
| EN 61 000-6-2<br>EN 61 000-6-3                                   | EMC, stability for industrial areas<br>EMC, emission standard for residential commercial,<br>and light-industrial environments                                     | DIN 33 404/3: 1982 | Alarms for workplaces,<br>unified emergency signal                      |
| EN 60 947-1: 2003<br>EN 60 529: 2000                             | Low voltage switchgear standard<br>Protection system by enclosure (IP code)  | ISO 8201: 1987     | Evacuation alarm  |
|  |  | DIN EN 981: 1997   | System of acoustic and visual alarm signals<br>and information signals  |
|  |  | ISO 11 429: 1996   | System of acoustic and visual alarm signals<br>and information signals  |