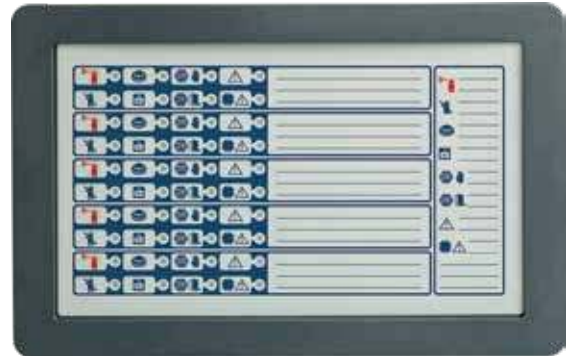


## LED MODULE FOR FIRE-EXTINGUISHING CHANNELS

PREVIDIA | MAX



LED signalling front-plate module for fire extinguishment systems.

If IFMEXT function modules are housed inside the control panel for the management of fire extinguishment systems, the use of one or more FPMEXT modules is compulsory as visual indication of the system status, other than that on the display, must be provided.

Each FPMEXT module provide the indications of 5 IFMEXT extinguishment modules.

Mounts to the frontplate of the Previdia Max control panel and, if housed in the upper opening, connects to the CAN DRIVE bar. However, if housed in the lower opening, it connects to the FPM module in the upper opening.

Each Previdia Max control panel is capable of managing up to 5 FPMEXT modules.

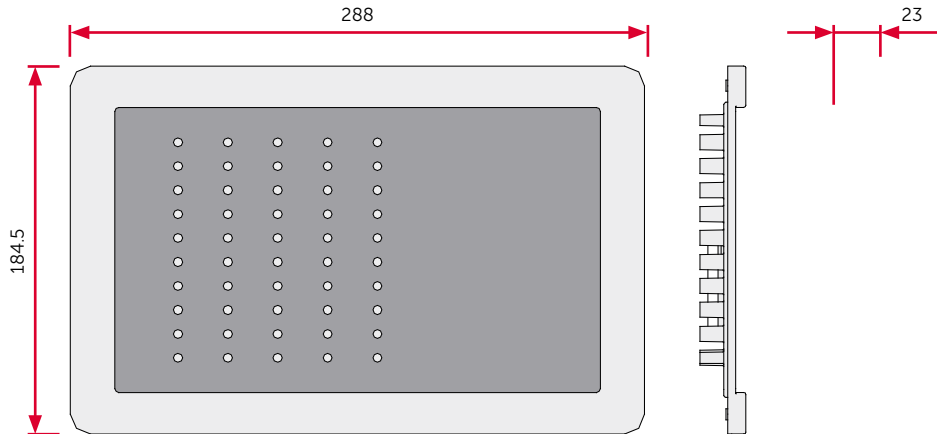
### HARDWARE CHARACTERISTICS

- CPU dedicated to the control of the module and communication with the control-panel FPMCPU module
- 5 status LEDs
- Mini USB port
- Connector for the connection to other frontplate module
- Hot swap technology
- 40 tri-colour LEDs
- Manages up to 5 fire-extinguishing modules
- 5 LED indicators of extinction activation (one per channel)
- 5 LED indicators of extinction bypassed (one per channel)
- 5 LED indicators of automatic activation of extinction (one per channel)
- 5 LED indicators for manual activation of extinction (one per channel)
- 5 LED indicators for manual block of extinction (one per channel)
- 5 LED indicators for block extinction from non-electrical devices (one per channel)
- 5 LED indicators of generic fault (one per channel)
- 5 LED indicators of CPU fault (one per channel)

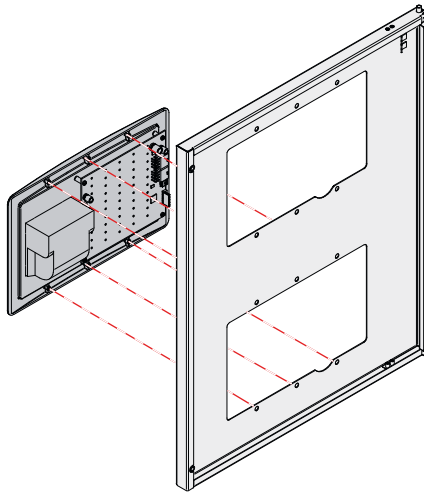
### TECHNICAL SPECIFICATIONS

- Visual signalling for up to 5 fire-extinguishing modules
- Power voltage: 19-30Vdc
- Consumption @ 27.6V: stand-by 12mA, max. 45mA
- Operating temperature: from -5°C to +40°C

### DIMENSIONS



### INSTALLATION



### IN THE PACKAGE

- Package dimensions: 32.5 x 62 x 25 cm
- Weight: 690g

### ORDER CODES

- FPMEXT** frontplate module for fire-indications relating to fire-extinguishing channels  
**IFMEXT** internal module for the management of 1 extinguishing channel