

FPMLLED FPMLLEDPRN

FRONT-PLATE LED MODULE AND PRINTER



PREVIDIA | MAX



The modules are equipped with 50 configurable tri-colour LEDs (green, yellow and red), provided instant visual signals regarding the status of the various system elements (zones, points, etc.).

The FPMLLEDPRN module is equipped with an 80mm thermal printer for signals regarding the status of the various system elements (zones, points, etc.). Provides real-time printouts of all system events.

Each module mounts to the frontplate of the Previdia Max control panel and, if housed in the upper opening, connects to the CAN DRIVE bar. However, if housed in the lower opening, it connects to the FPM module in the upper opening.

Each Previdia Max control panel is capable of managing up to 7 FPMLLED modules and 1 FPMLLEDPRN module.

HARDWARE CHARACTERISTICS

- CPU dedicated to the control of the module and communication with the control-panel FPMCPU module
- 5 status LEDs
- Mini USB port
- Connector for the connection to other frontplate module
- Hot swap technology
- Tri-colour LEDs programmable for any type of event and/or system status
-
- Thermal printer uses 80mm thermal roll paper (for FPMLLEDPRN)
- Possibility to filter the events to be printed (for FPMLLEDPRN)

Technical specifications

Model	FPMLLED	FPMLLEDPRN
Operating voltage	from 19 to 30V $\overline{\text{DC}}$	
Consumption @ 27.6V: stand-by	12mA	35mA
Consumption @ 27.6V: max.	45mA	400mA
Tri-colour LEDs	50	
Operating temperature	-5°C / +40°C	

FPMLLED, FPMLLEDPRN



cert. N.991K

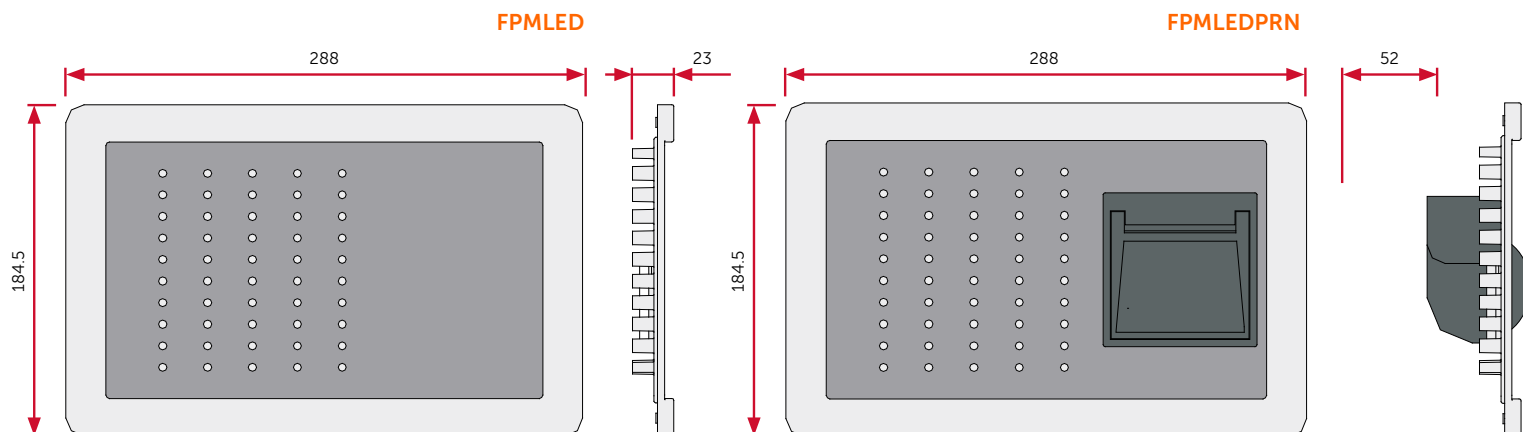


EN 54-2
EN 54-4
EN 54-21
EN 12094-1

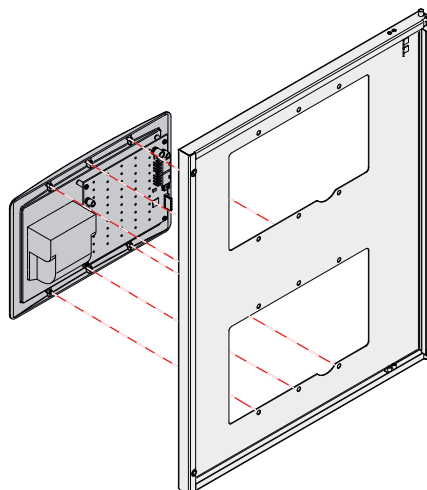
0832
0832-CPR-F1342

PREVIDIA | MAX

DIMENSIONS



INSTALLATION



IN THE PACKAGE

- Package dimensions: 32.5 x 62 x 25 cm
- Weight: 690g

ORDER CODES

FPMLLED

frontal module with 50 individually programmable tricolour LEDs

FPMLLEDPRN

frontal module with 50 individually programmable tri-colour LEDs and an 80mm printer



Centobuchi, via Dei Lavoratori 10
63076, Monteprandone (AP), ITALY
Tel. +39 0735 705007 _ Fax +39 0735 704912

info@inim.biz _ www.inim.biz

Inim distributor's stamp
and signature