

INTERNAL DIALLER MODULE

PREVIDIA | MAX



Remote dialler module communicates over PSTN landline and GSM network. It connects directly to the CAN DRIVE bar and is capable of sending voice calls resulting from on-board recorded messages and digital calls via the most widely used protocols (SIA, Contact ID, etc.).

This module is also capable of sending SMS messages with detailed texts relating to the saved events.

Each Previdia Max control panel manages one IFMDIAL module only.

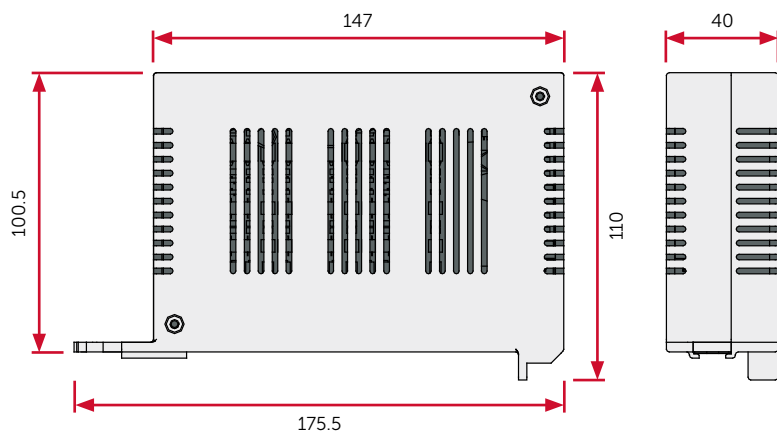
HARDWARE CHARACTERISTICS

- CPU dedicated to the control of the module and communication with the control-panel FPMCPU module
- 5 status LEDs
- Mini USB port
- Hot swap technology
- GSM antenna connector (requires GSMANT200N antenna)
- SIM card holder
- Frequency bands: 850, 900, 1800 and 1900 Mhz
- 1 terminal for the connection of the internal telephone line
- 1 terminal for the connection of the external telephone line (PSTN)

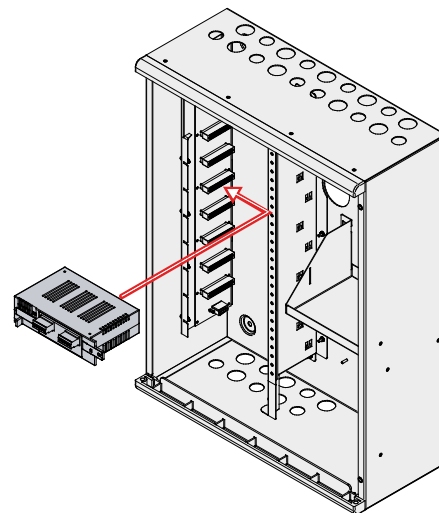
TECHNICAL SPECIFICATIONS

- Certified EN54 part 21 on GSM and PSTN providers
- 100 voice messages on-board (up to 15 min.) recordable via software with text-to-speech or wav file
- Up to 100 actions
- 100 customizable SMS text messages
- Integrated automatic digital communicator (Contact ID, ADEMCO etc.)
- 15 telephone numbers for dialler functions (voice, digital, SMS)
- Power voltage: 19-30Vdc
- Consumption @ 27.6V: stand-by 30mA, max. 250mA
- Operating temperature: from -5°C to +40°C

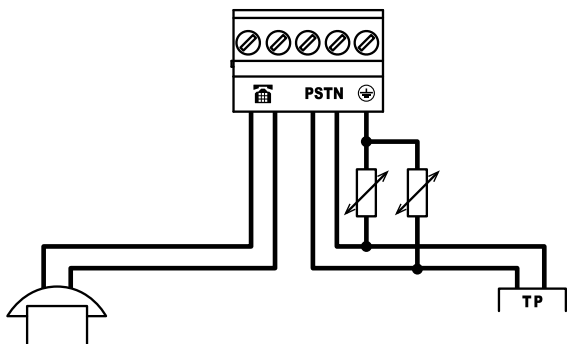
DIMENSIONS



INSTALLATION



CONFIGURATION DIAGRAM



IN THE PACKAGE

- Package dimensions: 18 x 12.5 x 5 cm
- Weight with packaging: 280g

ORDER CODES

- IFMDIAL** GSM/PSTN communicator module
- GSM-ANT100B** high performance GSM antenna, white
- GSM-ANT200N** GSM antenna with installation bracket and 3mt cable, black