

IFM4R



INTERNAL MODULE WITH 4 RELAYS

PREVIDIA | MAX



Internal module for the management of 4 programmable relays for Previdia Max fire-detection control panels. Previdia Max control panels are capable of managing up to 16 IFM4R modules. The IFM4R module provides 4 relay outputs with voltage-free contacts. The activation mode of each relay can be defined during the system configuration phase using the configuration software.

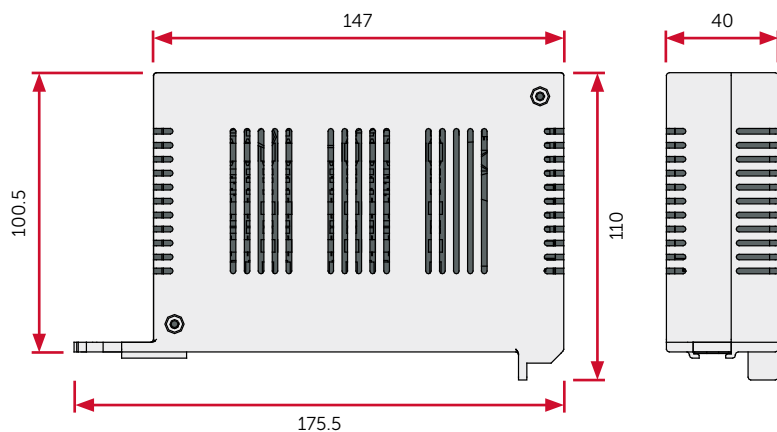
HARDWARE CHARACTERISTICS

- CPU dedicated to the control of the module and communication with the control-panel FPMCPU module
- 5 status LEDs
- Mini USB port
- Hot swap technology
- 4 relays (NC / C / NO)

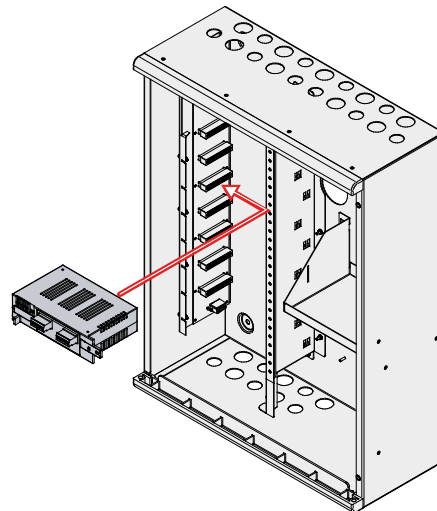
TECHNICAL SPECIFICATIONS

- Power voltage: 19-30Vdc
- Consumption @ 27.6V: stand-by 10mA, max. 80mA
- Maximum current on relay: 5A @ 30V
- Operating temperature: from -5°C to +40°C

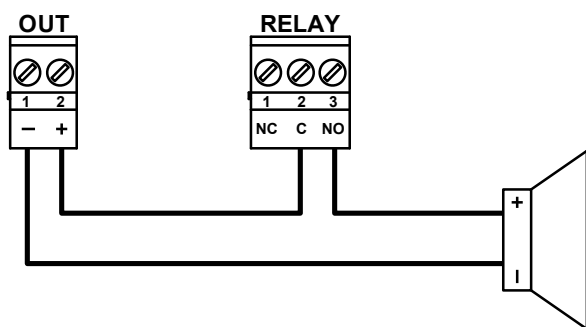
DIMENSIONS



INSTALLATION



CONFIGURATION DIAGRAM



IN THE PACKAGE

- Package dimensions: 18 x 12.5 x 5 cm
- Weight with packaging: 280g

ORDER CODES

IFM4R module with 4 programmable relays