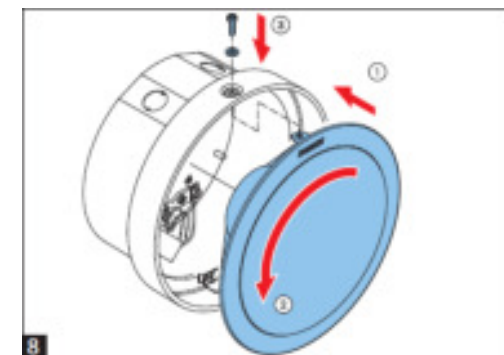
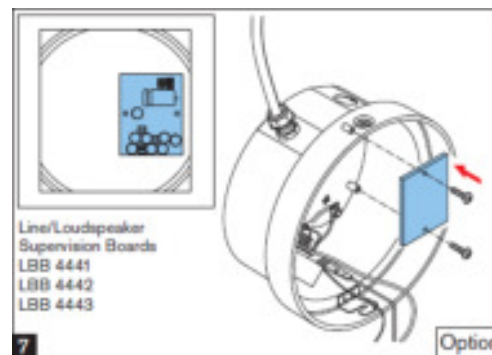
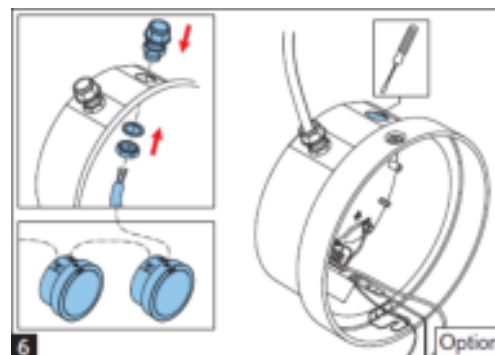
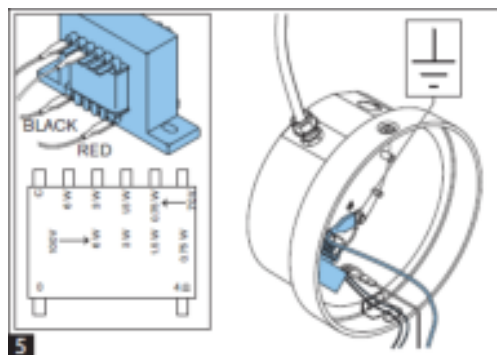
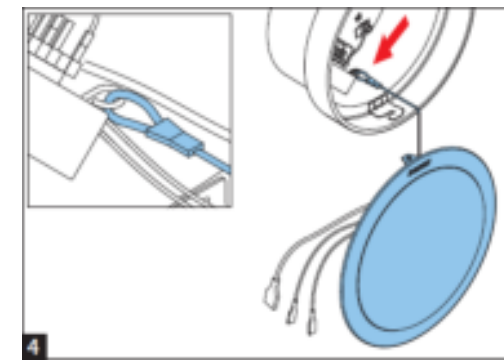
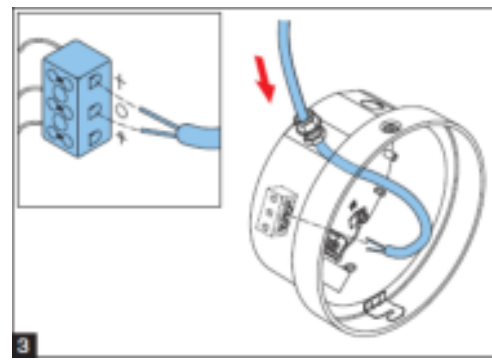
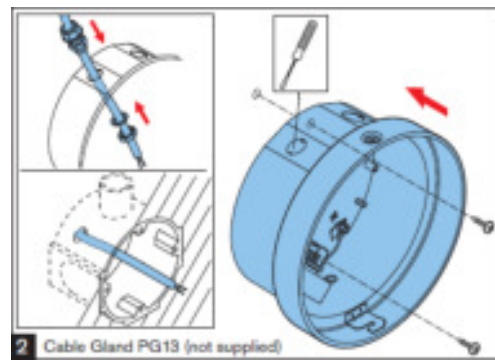
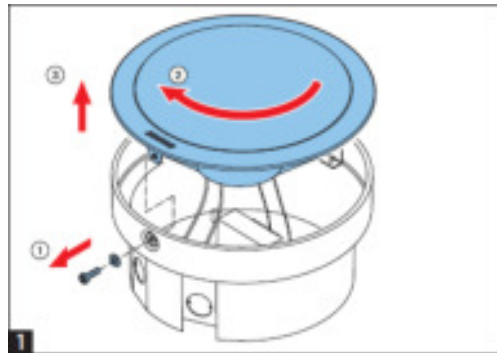


Installation



Technical data

Electrical*

Rated power (PHC)	6 W
Power tapping	6 / 3 / 1.5 / 0.75 W
Sound pressure level at 6 W / 1 W (1 kHz, 1 m)	94 / 86 dB (SPL)
Sound pressure level at 6 W / 1 W (4 kHz, 4 m)	82 / 74 dB (SPL)
Effective frequency range (-10 dB)	160 Hz to 20 kHz
Opening angle at 1 kHz / 4 kHz (-6 dB)	180° / 56°

Certification and approvals

Safety	according to EN 60065
EVAC compliant	according to BS 5839-8 according to EN 60849
Emergency	according to EN 54-24

Additional technical data

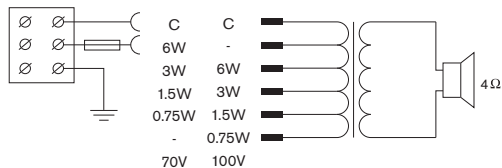


Fig. 1: Circuit diagram

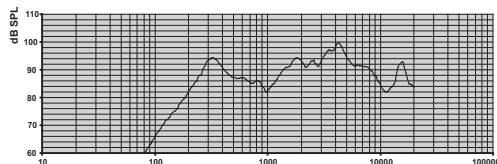


Fig. 2: Frequency response

Rated input voltage		70 V	100 V
Rated impedance	6 W	835	1667
		Ohm	Ohm
	3 W	1667	3333
		Ohm	Ohm
1.5 W	3333	6667	
	Ohm	Ohm	
0.75 W	6667	13333	
	Ohm	Ohm	
Connector	3-pole screw terminal block		

* Technical performance data acc. to IEC 60268-5

Mechanical

Dimensions (W x D)	199 x 105 mm (7.8 x 4.1 in)
Weight	1.23 kg (2.71 lb)
Color	White (RAL 9010)



Fig. 3: Polar diagram (measured with pink noise)



Fig. 4: Polar diagram (measured with pink noise)

Material (back box and grille)	Steel
Speaker size	152.4 mm (6 in)
Magnet weight	53 g (1.9 oz)

Environmental

Operating temperature	-25 °C to +55 °C (-13 °F to +131 °F)
Storage and transport temperature	-40 °C to +70 °C (-40 °F to +158 °F)
Relative humidity	<95%

Note:

- The specification data is measured in an anechoic chamber, free field
- The reference axis is perpendicular to the center point of the front grille
- The reference plane is perpendicular to the center of the reference axis
- The horizontal plane is perpendicular to the center of the reference plane

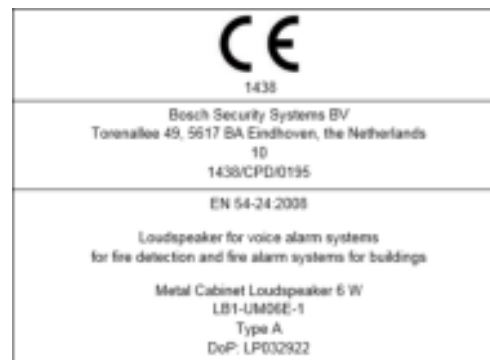


Fig. 5: CE label



LB1-UM06E-1 Cabinet loudspeaker, metal, circular



en Installation note